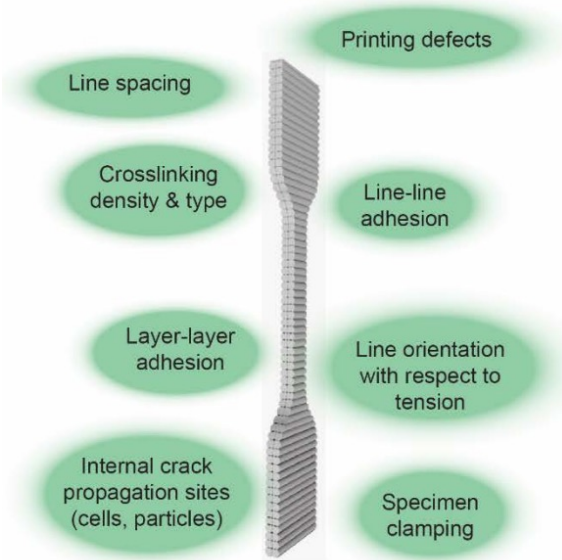
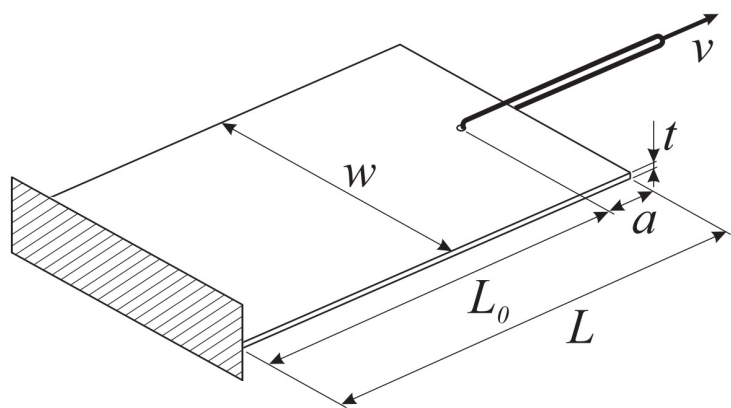


Bioprinted structures



Suture retention tests: critical analysis of ISO 7198



Application to heart valve leaflets

